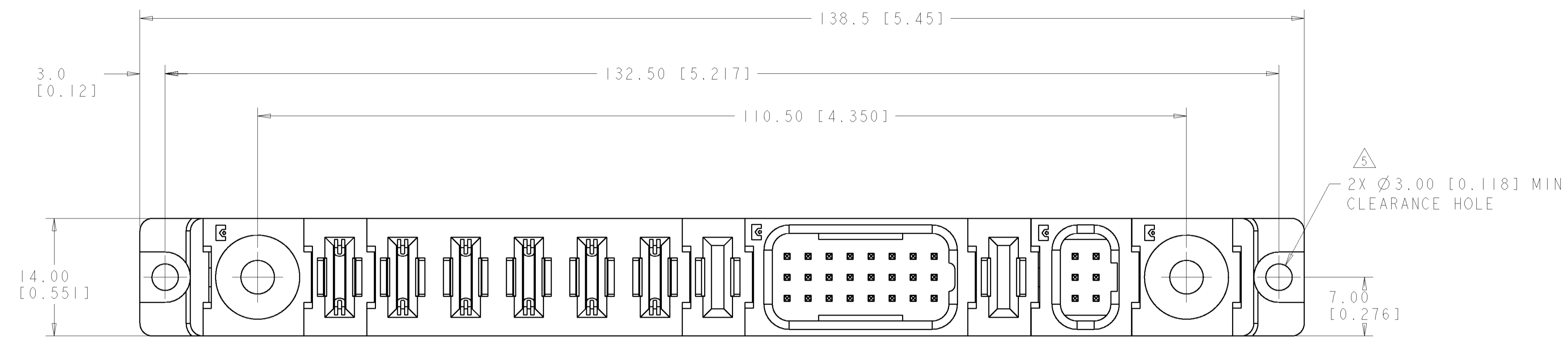


LOC	DIST	REVISIONS			
P	LTR	DESCRIPTION	DATE	DRN	APVD
A		NEW RELEASE	11 JUN 2007	RG	PD



- PART NUMBER CHANGES AND OR DESIGN CHANGES AFFECTING ITEM INTERCHANGEABILITY REQUIRE PRIOR TYCO ELECTRONICS APPROVAL AND AUTHORIZATION BY REVISION TO THIS DRAWING.
- MATERIAL:
 - INSULATORS - THERMOPLASTIC, GLASS REINFORCED, COLOR: BLACK, UL94V-0 FLAMMABILITY RATED.
 - POWER CONTACTS - PHOSPHOR BRONZE ALLOY, COPPER ALLOY
 - SOLDER SIGNAL PINS-BRASS ALLOY
 - CROWN BAND-BERYLLIUM COPPER ALLOY

- FINISH:
 - CONTACTS - GOLD PLATE 0.76µM MIN. THK. OVER NICKEL 1.27µM MIN. THK.
 - SOLDER TAILS, TIN 3.05µM MIN. THK. OVER NICKEL 1.27µM MIN THK.

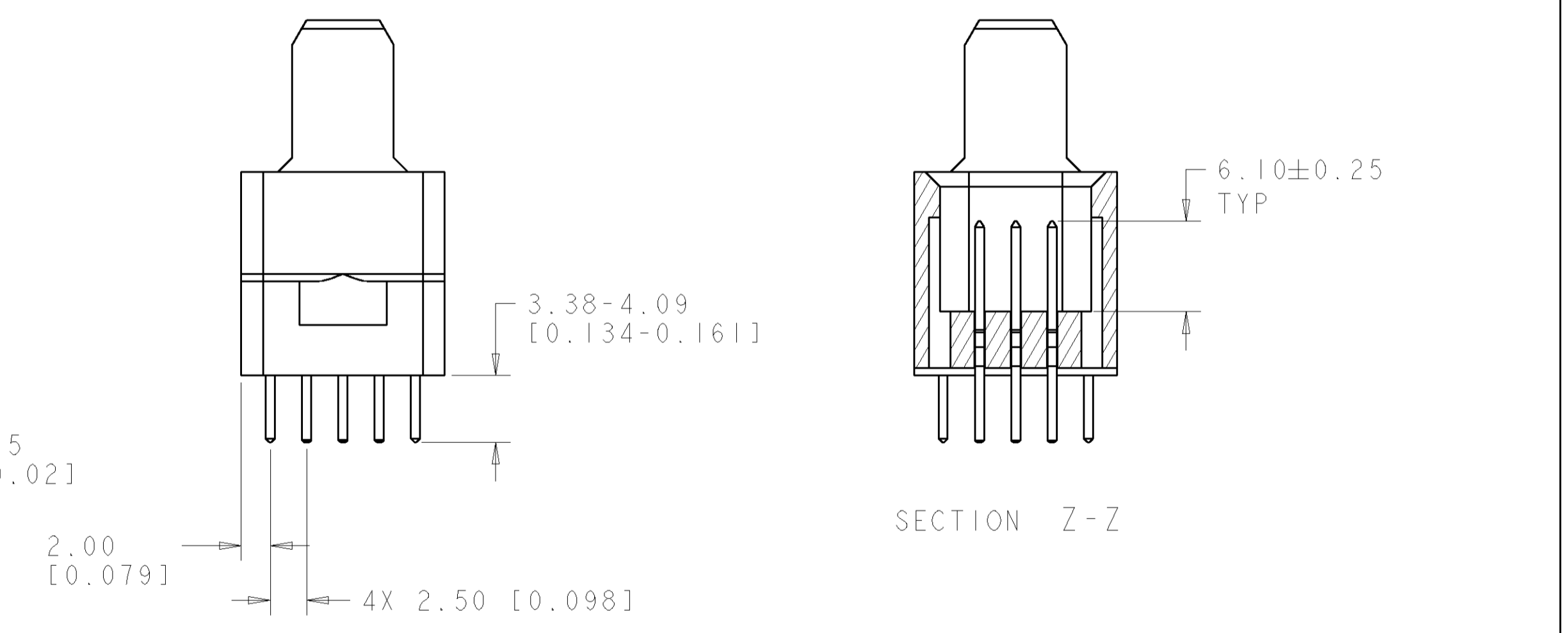
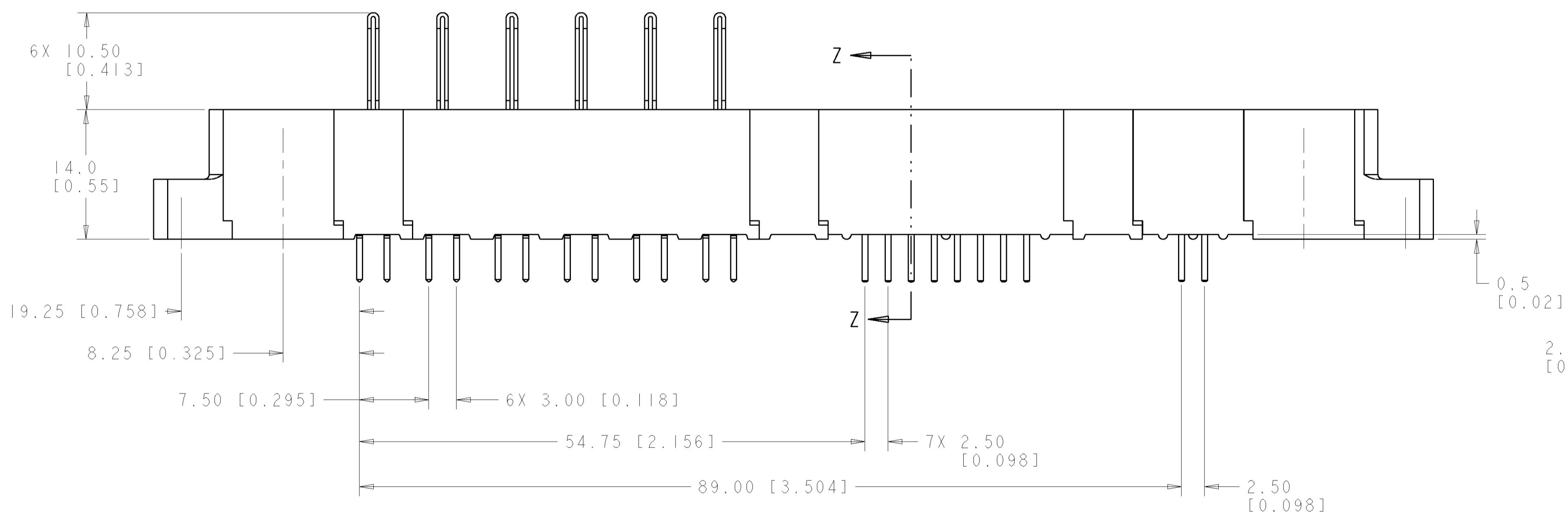
△ ITEMS PROVIDED TO THIS SPECIFICATION TO BE PERMANENTLY IDENTIFIED PER THE FOLLOWING IDENTIFIER LABEL

TYCO ELECTRONICS P/N DATE CODE (e.g. 0106)

XXXXXXXX-X XXXX

YEAR WEEK

△ MOUNTING FLANGE ACCEPTS M3 OR #4-40 SCREWS. (USER SUPPLIED)

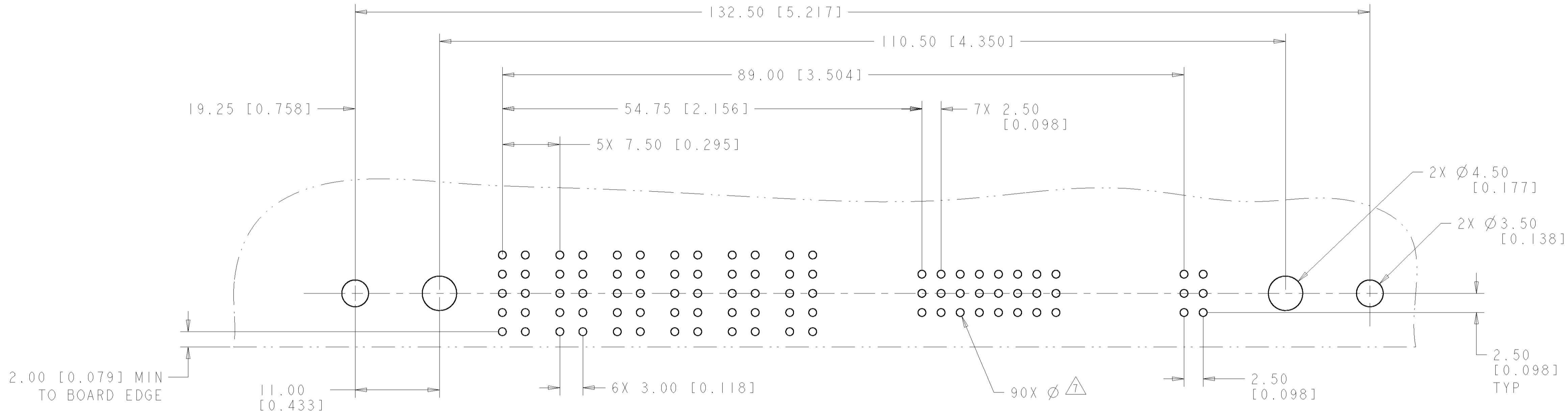


ELCON FLATPAQ

AS SHOWN	6651981-1
DESCRIPTION	PART NUMBER

DIMENSIONS: mm TOLERANCES UNLESS OTHERWISE SPECIFIED: 0 PLC ± 1 PLC ±.3 [0.012] 2 PLC ±.15 [0.006] 3 PLC ± 4 PLC ± ANGLES ±.5 FINISH		DWN: R. GRZYBOWSKI JUN 2007 ENR: P. DAMATO JUN 2007 APVD: S. FLICKINGER JUN 2007 PRODUCT SPEC APPLICATION SPEC WEIGHT CUSTOMER DRAWING	Tyco Electronics Harrisburg, PA 17105-3608 NAME: PIN CONNECTOR ASSEMBLY STRAIGHT, SOLDER TAILS FLATPAQ SIZE: A 00779 C=6651981 SCALE: 3:1 SHEET: 1 OF 3 REV: A
--	--	--	--

LOC	DIST	REVISIONS			
P	LTR	DESCRIPTION	DATE	DRN	APVD
-	-	SEE SHEET 1	-	-	-



PRINTED CIRCUIT LAYOUT
 COMPONENT SIDE

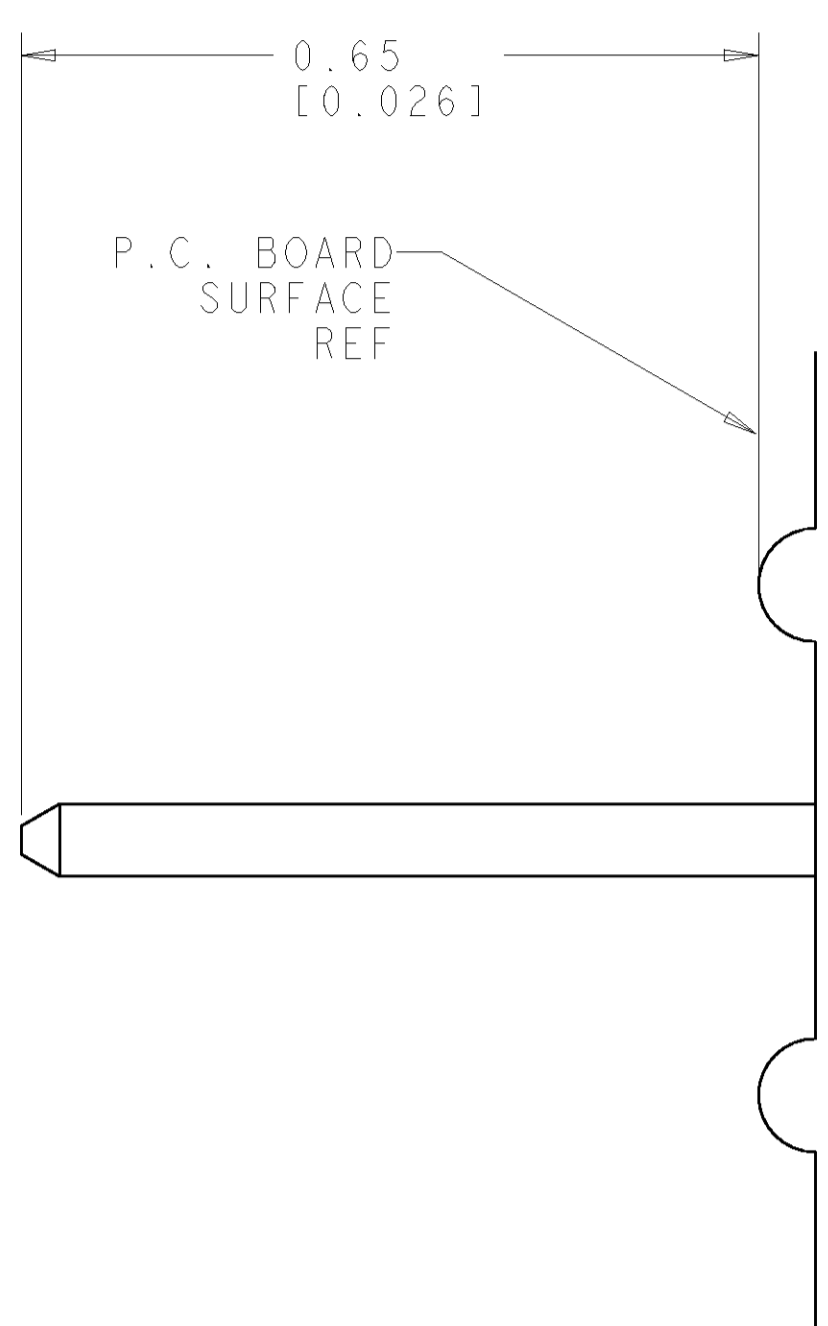
CONNECTOR	EQUIVALENT CATALOG MODULE #	MODULE QTY	CONTACT QTY	SIZE NO.	MATING PIN	MAX. CURRENT (PER CONTACT)	CONTACT SPACING	VOLTAGE RATING
PIN	FP101	6	6	8	1.25 X 7.00 [.049 X .276]	35 amps	7.50 [.2953]	250 VOLTS
	FP312	1	6	22	.64 [.025] SQ.	3 amps	2.50 [.0984]	125 VOLTS
	FP300	1	24	22	.64 [.025] SQ.	3 amps	2.50 [.0984]	125 VOLTS
	FP500	1	LEFT MOUNTING FLANGE					
	FP511	2	SPACER					
	FP501	1	RIGHT MOUNTING FLANGE					
	FP502	2	STRAIGHT GUIDE SOCKETS					

DIMENSIONS: mm
 TOLERANCES UNLESS OTHERWISE SPECIFIED:
 0 PLC ±.3 [.012]
 1 PLC ±.3 [.012]
 2 PLC ±.15 [.006]
 3 PLC ±.15 [.006]
 4 PLC ±.15 [.006]
 ANGLES ±.5
 FINISH -
 MATERIAL -
 WEIGHT -
 CUSTOMER DRAWING

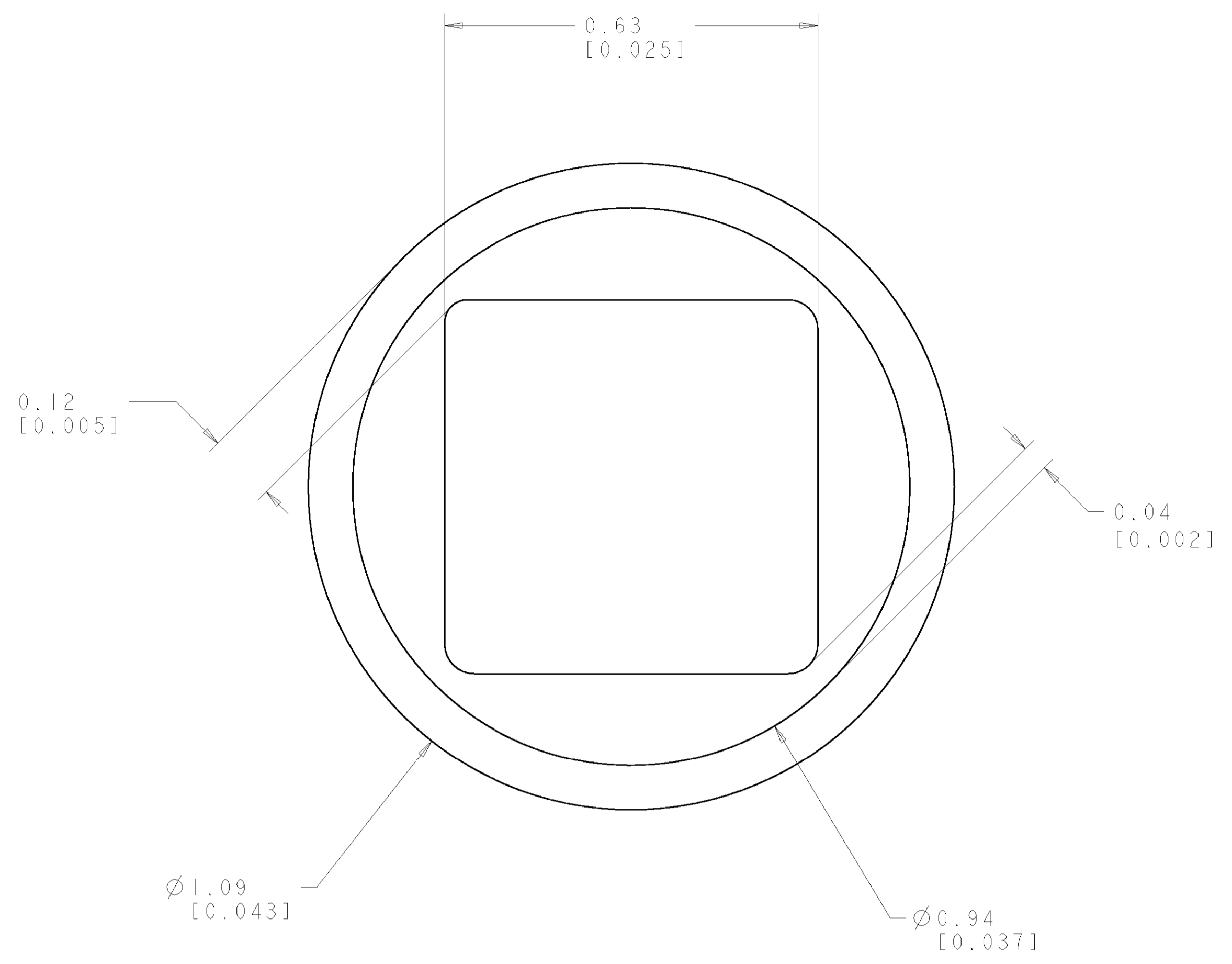
DRN: B. GRZYBOWSKI JUN2007
 CHK: P. DAMATO JUN2007
 APVD: S. FLICKINGER JUN2007
 NAME: PIN CONNECTOR ASSEMBLY STRAIGHT, SOLDER TAILS FLATPAQ
 SIZE: A | 00779 | C=6651981
 SCALE: 3:1 SHEET 2 OF 3 REV A

Tyco Electronics
 Harrisburg, PA 17105-3608

LOC	DIST	REVISIONS					
GP	00	P.	LTR	DESCRIPTION	DATE	DWN	APVD
		-		SEE SHEET 1	-	-	-



6. SOLDER PIN DETAIL
SCALE 10:1



△ SOLDER TERMINATION AREA
 SCALE 40:1
 RECOMMENDED PRINTED CIRCUIT SOLDER HOLE
 FINISHED HOLE: ∅1.02 [0.040] ±0.08 [0.003]
 DRILLED HOLE: ∅1.15 [0.0453] ±0.013 [0.0005]
 COPPER PLATE: 0.025 [0.0010] MIN
 TIN PLATE: 0.008 [0.0003] MIN. (PER SURFACE)

<small>THIS DRAWING IS UNPUBLISHED. RELEASED FOR PUBLICATION. THIS DRAWING IS THE PROPERTY OF TYCO ELECTRONICS CORPORATION. IT IS TO BE USED ONLY FOR THE PURPOSES AND ORGANIZATION SPECIFIED HEREIN. IT IS TO BE RETURNED TO TYCO ELECTRONICS CORPORATION IF IT IS REQUESTED FOR THE ORIGINAL DRAWING.</small>		DWN B. GRZYBOWSKI 11 JUN 2007 CHK P. DAMATO 11 JUN 2007 APVD S. FLICKINGER 11 JUN 2007	Tyco Electronics Harrisburg, PA 17105-3608
DIMENSIONS: mm 	TOLERANCES UNLESS OTHERWISE SPECIFIED: 0 PLC ± 1 PLC ±.3 [0.012] 2 PLC ±.15 [0.006] 3 PLC ± 4 PLC ± ANGLES ±.5 FINISH	NAME PIN CONNECTOR ASSEMBLY STRAIGHT, SOLDER TAILS FLATPAQ PRODUCT SPEC APPLICATION SPEC WEIGHT MATERIAL CUSTOMER DRAWING	SIZE A CAGE CODE 6651981 DRAWING NO C=6651981 SCALE 3:1 SHEET 3 OF 3 REV A